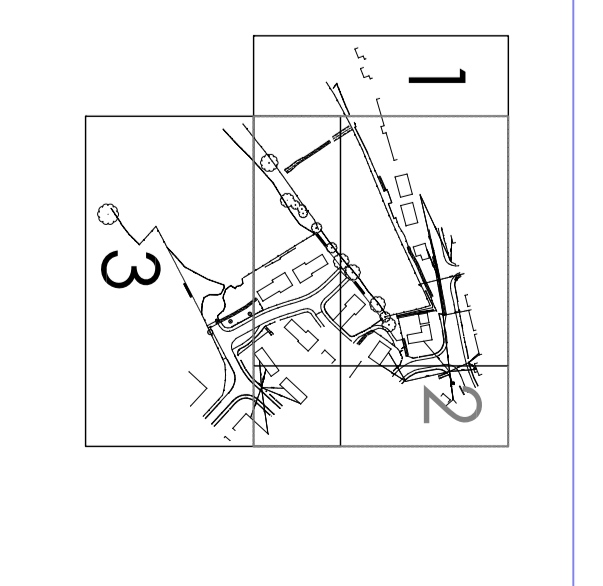


PLAN GRID NORTH

PROJECT INFORMATION		DATE	
Project Name	REHIM FARM ROAD	Date	17/05/2017
Client	REHIM FARM ROAD	Scale	1:500
Site Address	REHIM FARM ROAD	Scale Bar	0 2m 4m 8m 12m 16m
Project No.	REHIM FARM ROAD	Scale	1:500
Site No.	REHIM FARM ROAD	Scale	1:500
Project Name	REHIM FARM ROAD	Date	17/05/2017
Client	REHIM FARM ROAD	Scale	1:500
Site Address	REHIM FARM ROAD	Scale	1:500
Project No.	REHIM FARM ROAD	Scale	1:500
Site No.	REHIM FARM ROAD	Scale	1:500



SHEET INFORMATION	
Sheet No.	3
Date	17/05/2017
Scale	1:500
Scale Bar	0 2m 4m 8m 12m 16m

SURVEY & ENGINEERING PROJECTS	
Client	REHIM FARM ROAD
Site Address	REHIM FARM ROAD
Project No.	REHIM FARM ROAD
Site No.	REHIM FARM ROAD
Date	17/05/2017
Scale	1:500
Scale Bar	0 2m 4m 8m 12m 16m